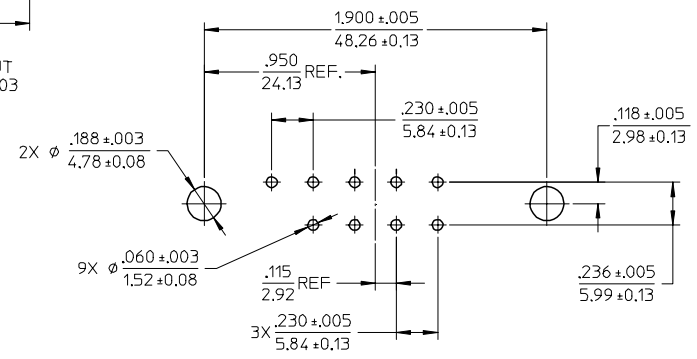
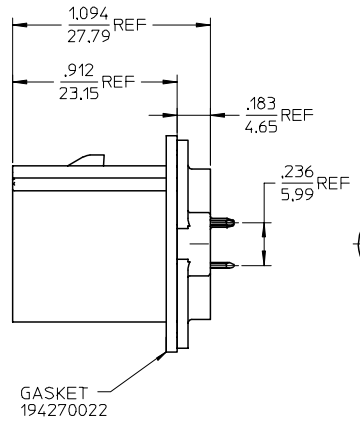
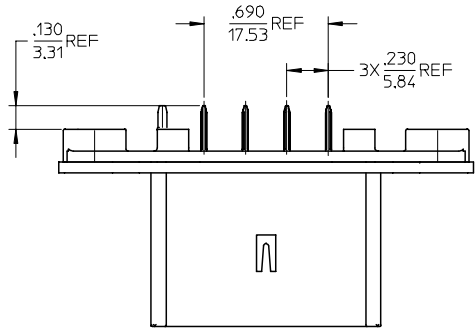


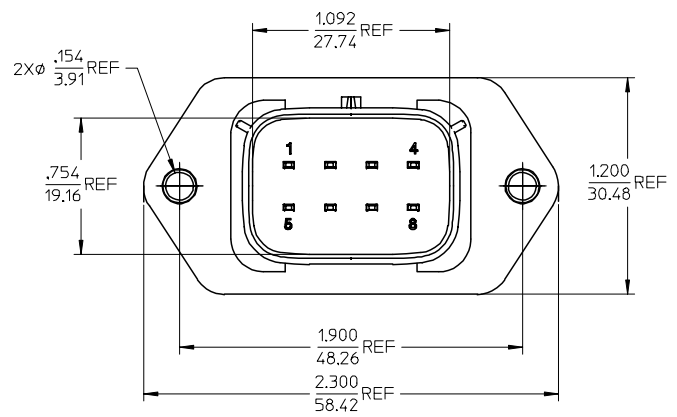
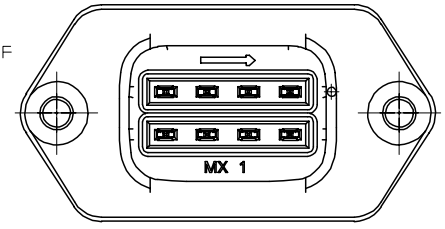
RECOMMENDED PANEL CUTOUT
MAX PANEL THICKNESS .080/2.03



RECOMMENDED PCB LAYOUT
COMPONENT VIEW
TOLERANCES ARE NON-ACCUMULATIVE



GASKET
194270022



MATERIAL NUMBER	TERMINAL PLATING
194280013	TIN
194280029	SELECT GOLD/TIN

- NOTES:
- MATERIALS:
HOUSING: POLYESTER (PBT), GLASS FILLED, UL94 V-0,
COLOR: BLACK
TERMINALS: COPPER ALLOY
 - FINISHES: 1. TIN ONLY: 100µN TIN OVER 50µN NICKEL
2. TIN/GOLD: 30µN SELECT GOLD (CONTACT MATING AREA),
100µN SELECT TIN (PCB TAIL AREA) OVER 50µN NICKEL OVERALL.
 - PRODUCT SPECIFICATION: PS-19428-001.
 - PACKAGING SPECIFICATION: PK-19428-002.
 - MATES WITH: 19418 SERIES RECEPTACLE ASSEMBLIES.

PRODUCTION RELEASE EC NO: ETC2005-0213 DRWN: JPAMLCK 2005/06/10 CHKD: JPAMLCK 2005/06/14 APPR: RDEROSS 2005/06/14	QUALITY SYMBOLS
	DESCRIPTION
	REV

GENERAL TOLERANCES (UNLESS SPECIFIED)	
mm	INCH
4 PLACES ± .005	± .001
3 PLACES ± .005	± .015
2 PLACES ± 0.38	± .005
1 PLACE ± .005	± .005
ANGULAR ± 1°	

DIMENSION STYLE		SCALE		DESIGN UNITS		THIRD ANGLE PROJECTION	
IN/MM		2:1		INCH			
DRAWN BY	DATE	CHECKED BY	DATE	APPROVED BY	DATE	MATERIAL NO.	
BRUPERT	04/06/16	JPAWLICK	04/06/16	RDEROSS	04/06/16	DOCUMENT NO.	
DRAFT WHERE APPLICABLE MUST REMAIN WITHIN DIMENSIONS				SEE CHART		SHEET NO.	
				THIS DRAWING CONTAINS INFORMATION THAT IS PROPRIETARY TO MOLEX INCORPORATED AND SHOULD NOT BE USED WITHOUT WRITTEN PERMISSION		1 OF 1	

TITLE		MATERIAL NO.		DOCUMENT NO.		SHEET NO.	
8-WAY STRAIGHT HEADER ASSEMBLY, SHORT VERSION		SD-19428-005		SD-19428-005		1 OF 1	
MOLEX INCORPORATED							